

# DIO2112HTP14

## Ultra Low THD Audio Line Driver with Adjustable Gain

### Features

- Qualified power output capability
- 2 Vrms output with 10K load
- Ultra Low Distortion  
SNR>100dB  
Typical Vn<10µVrms  
THD+N<0.001% at 2 Vrms
- No Pop/Clicks Noise when Power ON/OFF
- Optimized Frequency Response between 20Hz–20kHz
- Accepting Differential Input
- Featuring external under voltage mute
- Available in TSSOP-14 package

### Descriptions

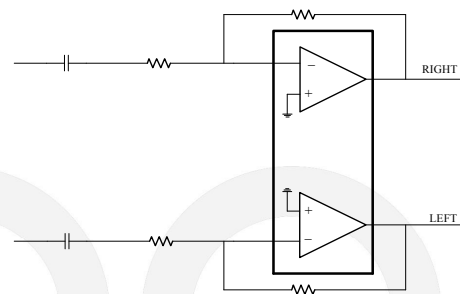
The DIO2112HTP14. is specially designed for flat panel TV, high definition DVD players and MID applications to optimize the audio driver circuit performance while reducing the BOM cost by eliminating the peripheral discrete components. DIO2112HTP14. features qualified power output capability under 32 ohm load and more than 2Vrms stereo audio output swing under 10K ohm load with no need of AC coupling capacitors at output ports.

Featuring differential input mode, gain range of ±1 V/V to ±10 V/V can be achieved via external gain resistor setting. Meanwhile, the DIO2112HTP14. offers built-in power-on and shut-down control circuitry for optimal pop-free performance during power-ON and power-OFF conditions.

### Applications

- Flat Panel Display
- High Definition DVD Players
- MID
- STB

### Block Diagram

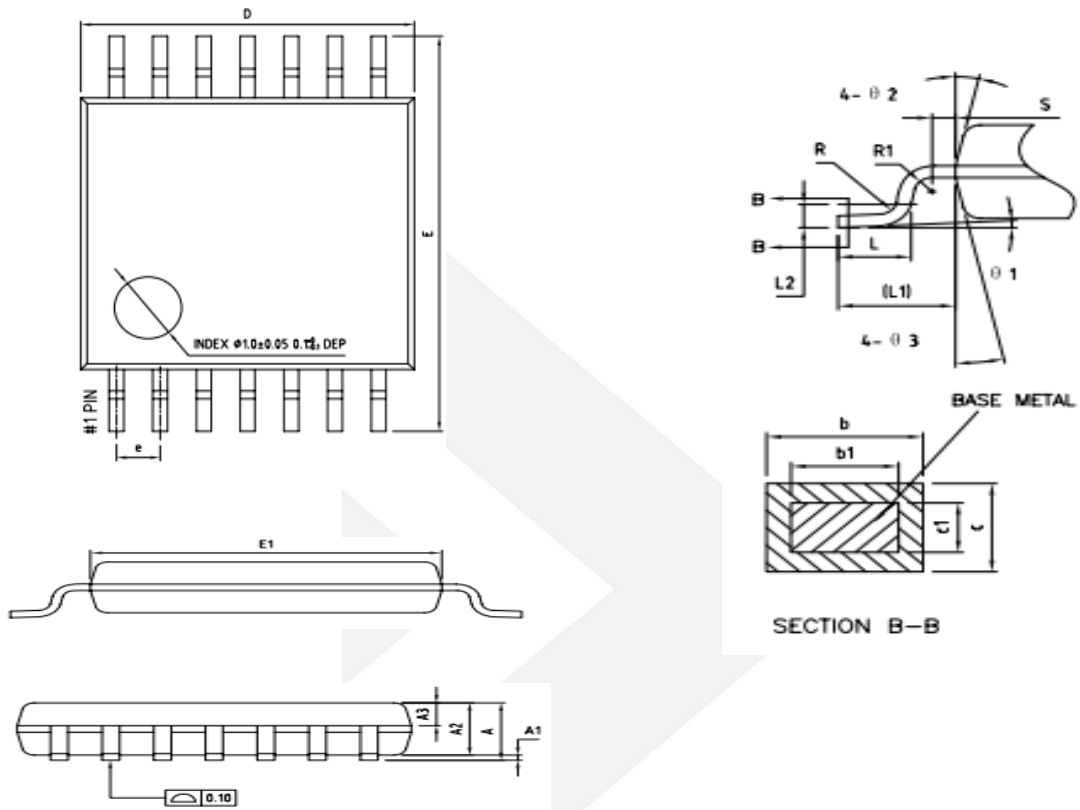


### Ordering Information

Order Part Number	Top Marking		T <sub>A</sub>	Package	
DIO2112HTP14.	DIO2112H	Green/RoHS	-40 to +85°C	TSSOP-14	Tape & Reel, 2500

# DIO2112HTP14.

## Physical Dimensions: TSSOP-14



Ultra Low THD Audio Line Driver with Adjustable Gain

Symbol	Dimensions In Millimeters		
	Min	Nom	Max
A	-	-	1.20
A1	0.05	-	0.15
A2	0.90	1.00	1.05
A3	0.34	0.44	0.54
b	0.20	-	0.28
b1	0.20	0.22	0.24
c	0.10	-	0.19
c1	0.10	0.13	0.15
D	4.86	4.96	5.06
E	6.20	6.40	6.60
E1	4.30	4.40	4.50
e	0.65BSC		
L	0.45	0.60	0.75
L1	1.00REF		
L2	0.25BSC		
R	0.09	-	-
R1	0.09	-	-
S	0.20	-	-
θ 1	0°	-	8°
θ 2	10°	12°	14°
θ 3	10°	12°	14°

# DIO2112HTP14.

## CONTACT US

**D**ioo is a professional design and sales corporation for high-quality and performance analog semiconductors. The company focuses on industry markets, such as, cell phone, handheld products, laptop, and medical equipments and so on. Dioo's product families include analog signal processing and amplifying, LED drivers and charger IC. Go to <http://www.dioo.com> for a complete list of Dioo product families.

For additional product information, or full datasheet, please contact with our Sales Department or Representatives.

Ultra Low THD Audio Line Driver with Adjustable Gain

